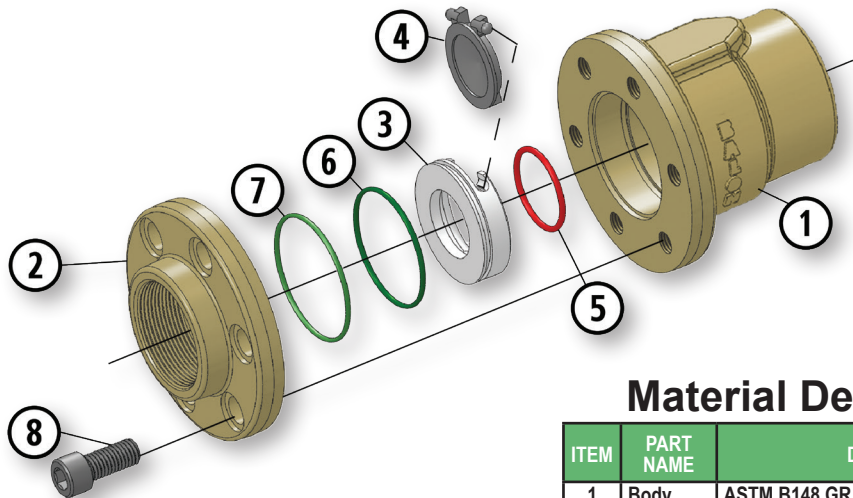
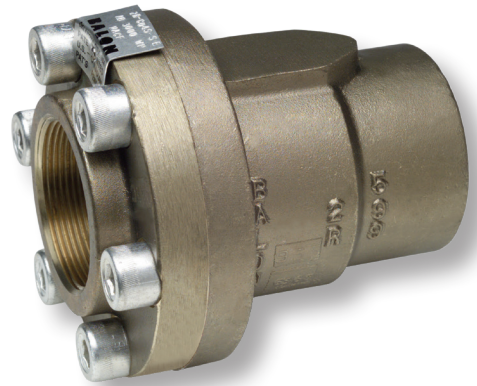


Threaded End Connection

Series C "9D" Nickel Aluminum Bronze

- 100% Made in USA
- 3000 PSI WP
- 2"
- ASTM B148 GR 955 "9D"
- Bolted Body Construction
- NACE Standard
 - Enhanced Protection Against CO₂ and Saltwater Corrosion
 - Improved Seat Design Protects Seal From Flow
 - Replaceable 316 Stainless Steel Seat Disc Cartridge Standard
 - Exceptional Yield Strength
 - Minimizes Risk of Galling Associated with Stainless Steel



Material Description

ITEM	PART NAME	DESCRIPTION
1	Body	ASTM B148 GR 955
2	Adapter	ASTM B148 GR 955
3	Seat	Replaceable 316 Stainless Steel
4	Disc	Replaceable 316 Stainless Steel
5	O-Ring	Seat Seal: Fluorocarbon
6	O-Ring	Assembly Seal: Fluorocarbon
7	O-Ring	Body Seal: Fluorocarbon
8	Bolts	ASTM A193 B7M

Dimensional Data

SIZE	CATALOG	PORT	D	L	LBS.
2	2R-C04S-SE	1.5	4.88	5.37	10.9

