

# Threaded End Connection

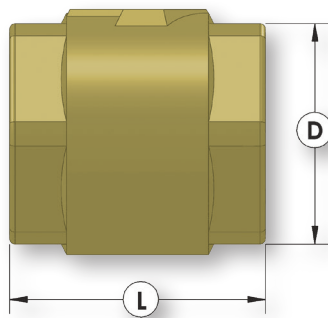
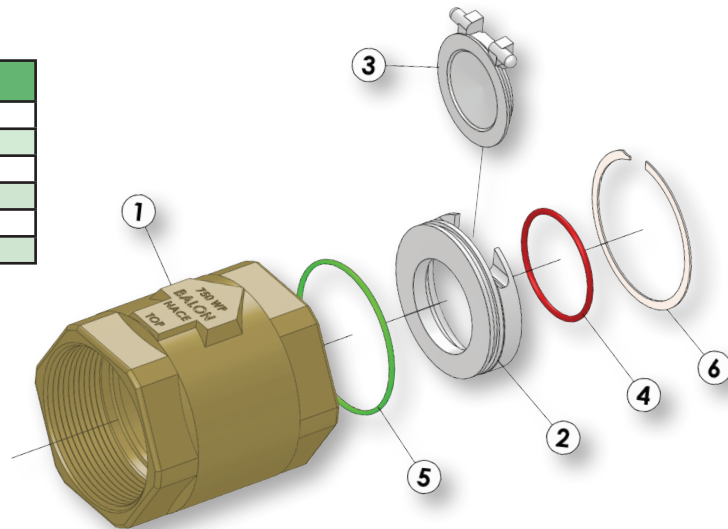
## Series C "9D" Nickel Aluminum Bronze

- 100% Made in USA
- Swing Check Valve
- 750 PSI WP
- 2" Through 3"
- ASTM B148 GR 955 "9D"
- One Piece Body
- NACE Standard
  - Enhanced Protection Against CO<sub>2</sub> and Saltwater Corrosion
  - Improved Seat Design Protects Seal From Flow
  - Replaceable 316 Stainless Steel Seat Disc Cartridge Standard
  - Exceptional Yield Strength
  - Minimizes Risk of Galling Associated with Stainless Steel



### Material Description

ITEM	PART NAME	DESCRIPTION
1	Body	ASTM B148 GR 955
2	Seat	Replaceable 316 Stainless Steel
3	Disc	Replaceable 316 Stainless Steel
4	O-Ring	Seat Seal: Fluorocarbon
5	O-Ring	Body Seal: Fluorocarbon
6	Retaining Ring	316 Stainless Steel



### Dimensional Data

SIZE	CATALOG	PORT	D	L	LBS.
2	2R-C34S-SE	1.25	3.00	3.62	3.3
3	3R-C34S-SE	2.00	4.25	4.50	7.3