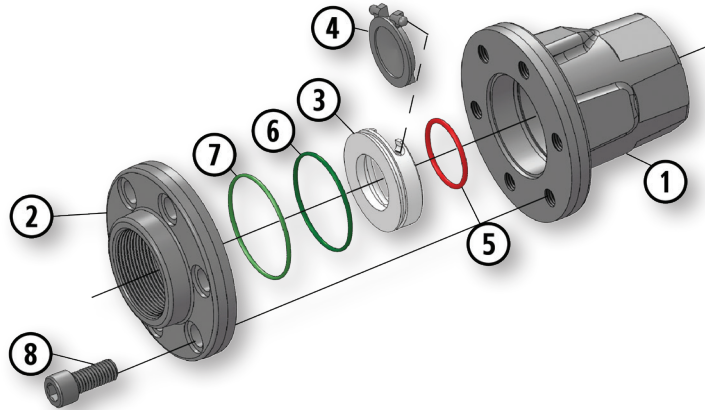


Threaded End Connection

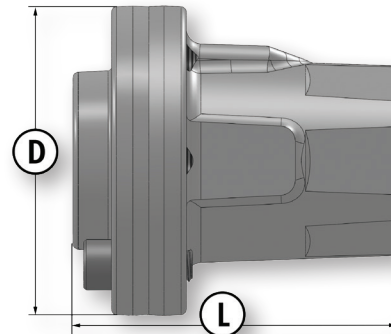
Series C Carbon Steel

- 100% Made in USA
- 3000 PSI WP
- 2"
- Bolted Body Construction
- NACE Standard
- Bolted Body Protects Against End Adapter Rotation
- Improved Seat Design Protects Seal From Flow
- Replaceable 316 Stainless Steel Seat Disc Cartridge Standard



Material Description

ITEM	PART NAME	CARBON STEEL SEAT	STAINLESS STEEL SEAT
1	Body	ASTM A105, Normalized	ASTM A105, Normalized
2	Adapter	ASTM A105, Normalized	ASTM A105, Normalized
3	Seat	Replaceable Carbon Steel	Replaceable 316 Stainless Steel
4	Disc	Replaceable 316 Stainless Steel	Replaceable 316 Stainless Steel
5	O-Ring	Seat Seal: Fluorocarbon	Seat Seal: Fluorocarbon
6	O-Ring	Assembly Seal: Buna-N	Assembly Seal: Fluorocarbon
7	O-Ring	Body Seal: Buna-N	Body Seal: Fluorocarbon
8	Bolts	ASTM A193 B7M	ASTM A193 B7M



Dimensional Data

SIZE	CATALOG NUMBER		PORT	D	L	LBS.
	CARBON STEEL SEAT	STAINLESS STEEL SEAT				
2	2R-C03-SE	2R-C03S-SE	1.5	4.87	5.37	11.7