

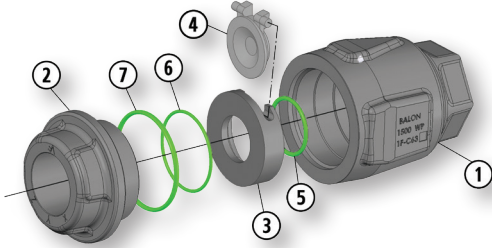
Threaded / Grooved End

Series C Carbon Steel

- 100% Made in USA
- To 3000 PSI WP
- 1"
- Threaded Body Construction



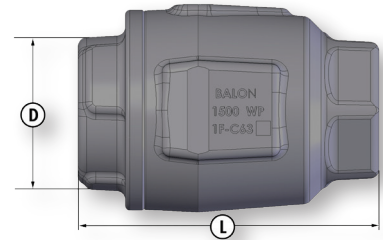
Material Description



ITEM	PART NAME	CARBON STEEL SEAT	STAINLESS STEEL SEAT
1	Body	ASTM A105, Normalized	ASTM A105, Normalized
2	Adapter	ASTM A105, Normalized	ASTM A105, Normalized
3	Seat	Replaceable Carbon Steel	Replaceable 316 Stainless Steel
4	Disc	Replaceable 316 Stainless Steel	Replaceable 316 Stainless Steel
5	O-Ring	Seat Seal: Fluorocarbon	Seat Seal: Fluorocarbon
6	O-Ring	Assembly Seal: Buna-N	Assembly Seal: Fluorocarbon
7	O-Ring	Body Seal: Buna-N	Body Seal: Fluorocarbon

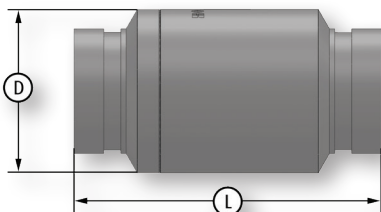
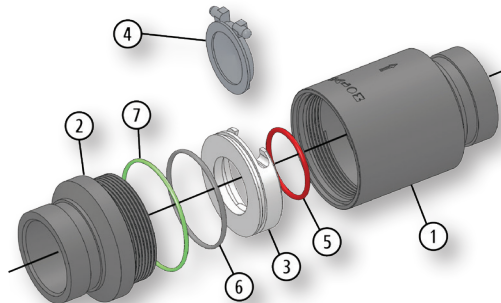
Dimensional Data

SIZE	CATALOG NUMBER		PORT	WP	D	L	LBS.
	CARBON STEEL SEAT	STAINLESS STEEL SEAT					
1	1F-C63-SE	1F-C63S-SE	1	1500	2.75	4.25	4.2
1	1F-C03-SE	1F-C03S-SE	1	3000	2.75	4.25	4.2



- Replaceable 316 Stainless Steel Seat Disc Cartridge Standard
- Improved Seat Design Protects Seal From Flow
- 100% Made in USA
- 1000 PSI WP
- 2" Through 3"
- Threaded Body Construction

- NACE Standard



Dimensional Data

SIZE	CATALOG NUMBER		PORT	D	L	LBS.
	CARBON STEEL SEAT	STAINLESS STEEL SEAT				
2	2R-C43-GE	2R-C43S-GE	1.5	3.12	5.87	5.3
3	3R-C43-GE	3R-C43S-GE	2.0	4.00	6.50	9.8