

Wafer Check Valves

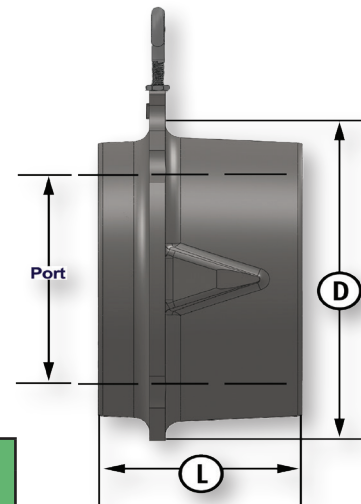
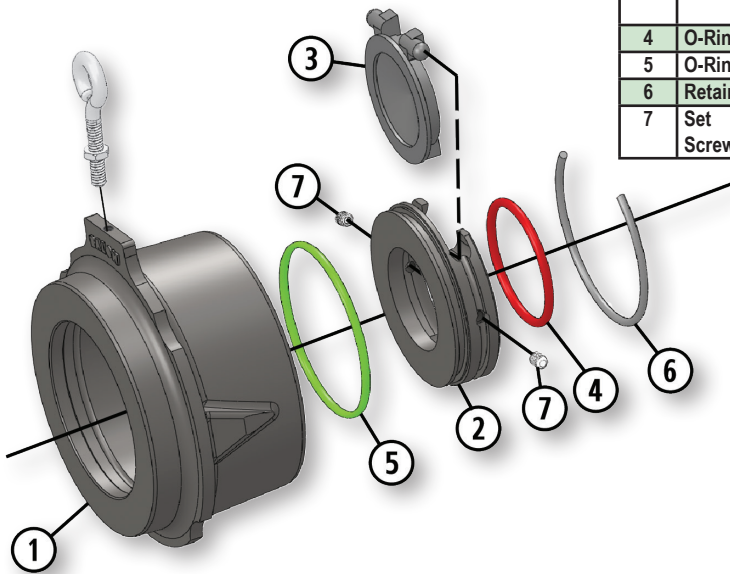
Wafer Check Valves Carbon Steel



- 100% Made in USA
- ANSI 150 (285 PSI WP)
- ANSI 300 (740 PSI WP)
- ANSI 600 (1480 PSI WP)
- 2" Through 6"
- Forged Steel Body Construction
- NACE Standard
- Improved Seat Design Protects Seal From Flow
- Replaceable 316 Stainless Steel Seat Disc Cartridge Standard
- Larger Port Sizes Than Other Brands

Material Description

| ITEM | PART NAME | CARBON STEEL SEAT | STAINLESS STEEL SEAT |
|------|-----------|---------------------------------|--|
| 1 | Body | ASTM A105, Normalized | ASTM A105, Normalized |
| 2 | Seat | Replaceable Carbon Steel | Replaceable 316 Or 17-PH Stainless Steel |
| 3 | Disc | Replaceable 316 Stainless Steel | Replaceable 316 Stainless Steel |
| 4 | O-Ring | Seat Seal: Fluorocarbon | Seat Seal: Fluorocarbon |
| 5 | O-Ring | Assembly Seal: Buna-N | Assembly Seal: Fluorocarbon |
| 6 | Retainer | Stainless Steel | Stainless Steel |
| 7 | Set Screw | Stainless Steel | Stainless Steel |



Dimensional Data

| SIZE | CATALOG NUMBER | | PORT | D | L | STUD LENGTH | LBS. |
|------|-------------------|----------------------|------|-------|------|-------------|------|
| | CARBON STEEL SEAT | STAINLESS STEEL SEAT | | | | | |
| 2 | 2L-150 | 2L-150S | 1.50 | 4.12 | 2.37 | 5.75 | 4.9 |
| 2 | 2L-300 | 2L-300S | 1.50 | 4.37 | 2.37 | 6.25 | 4.9 |
| 2 | 2L-600 | 2L-600S | 1.50 | 4.37 | 2.37 | 6.75 | 4.9 |
| 3 | 3L-150 | 3L-150S | 2.00 | 5.37 | 2.87 | 6.50 | 11.8 |
| 3 | 3L-300 | 3L-300S | 2.00 | 5.87 | 2.87 | 7.25 | 11.8 |
| 3 | 3L-600 | 3L-600S | 2.00 | 5.87 | 2.87 | 8.00 | 11.8 |
| 4 | 4L-150 | 4L-150S | 3.00 | 6.87 | 2.87 | 6.50 | 15.0 |
| 4 | 4L-300 | 4L-300S | 3.00 | 7.12 | 2.87 | 7.75 | 15.0 |
| 4 | 4L-600 | 4L-600S | 3.00 | 7.87 | 3.12 | 9.25 | 16.0 |
| 6 | 6L-150 | 6L-150S | 4.75 | 8.75 | 3.87 | 8.00 | 34.0 |
| 6 | 6L-300 | 6L-300S | 4.75 | 9.87 | 3.87 | 9.00 | 34.8 |
| 6 | 6L-600 | 6L-600S | 4.75 | 10.50 | 5.37 | 12.50 | 48.0 |